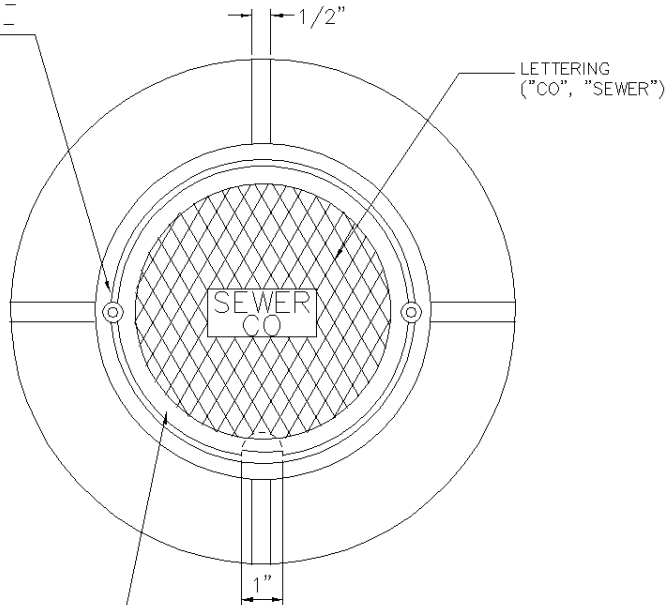
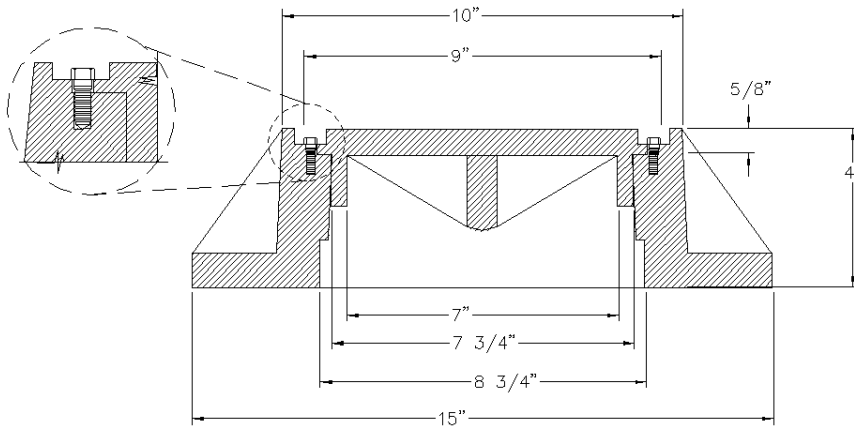


DRILL & TAP (SPLITTING THE SEAM) SET MADE BOLT-DOWN WITH 3/8" S.S. ALLEN-HEAD BOLTS - 2 PLACES



1/8" RAISE - 1/2" WIDE BORDER



NOTES:

# OLYMPIC FOUNDRY INC.

## 8" X 4" LOCKING CLEAN-OUT RING & COVER

MATL: Cast Iron ASTM A48, CL30

RATING: H-20

PART NO. M1007 D/T

APPROX WT: Ring - 42 Lbs, Cover 14 - Lbs

REV: A DATE: 7/9/2003 New border

REV  
A

DOCUMENT APPROVED  
BY: DATE:

DWN: CL DATE: 7/9/2003

CHKD: CL DATE: 7/9/2003

TOLERANCE  
XX +/- .1  
XXX +/- .06  
XXXX +/- .030  
<+ 2 DEG

REV: DATE:

DWG #: M1007 DT

SCALE: N/A

SHEET: 1 OF 1