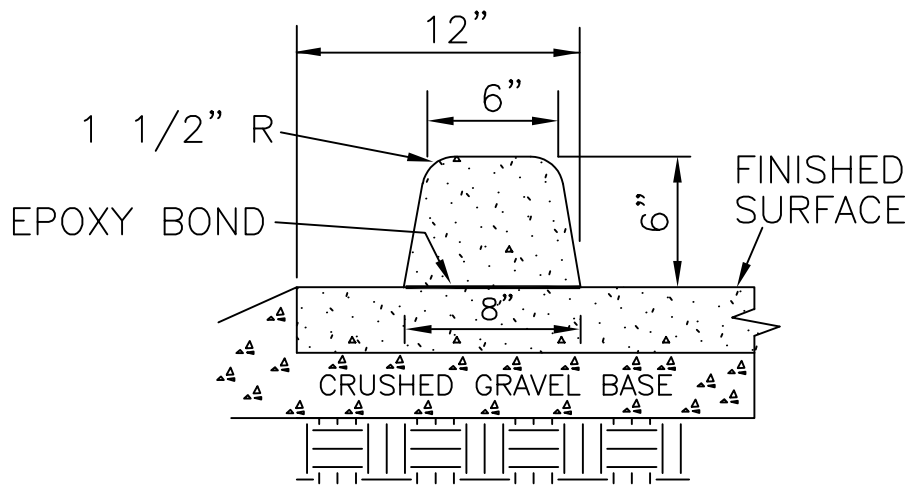


EXTRUDED AC BONDED CURB



EXTRUDED CONCRETE BONDED CURB

NOTES:

1. ISOLATION JOINTS SHALL BE PLACED ONLY AS SPECIFIED BY THE CITY ENGINEER.
2. CONTRACTION JOINTS SHALL BE PLACED AT 15' INTERVALS UNLESS OTHERWISE SPECIFIED, AND SHALL EXTEND AT LEAST 50% THROUGH THE CURB OR CURB & GUTTER.

**City of
McMinnville**

**DETAIL FOR
P.C. AND A.C.
EXTRUDED CURB**

DATE:

AUGUST 2022

DRAWING NO.

7