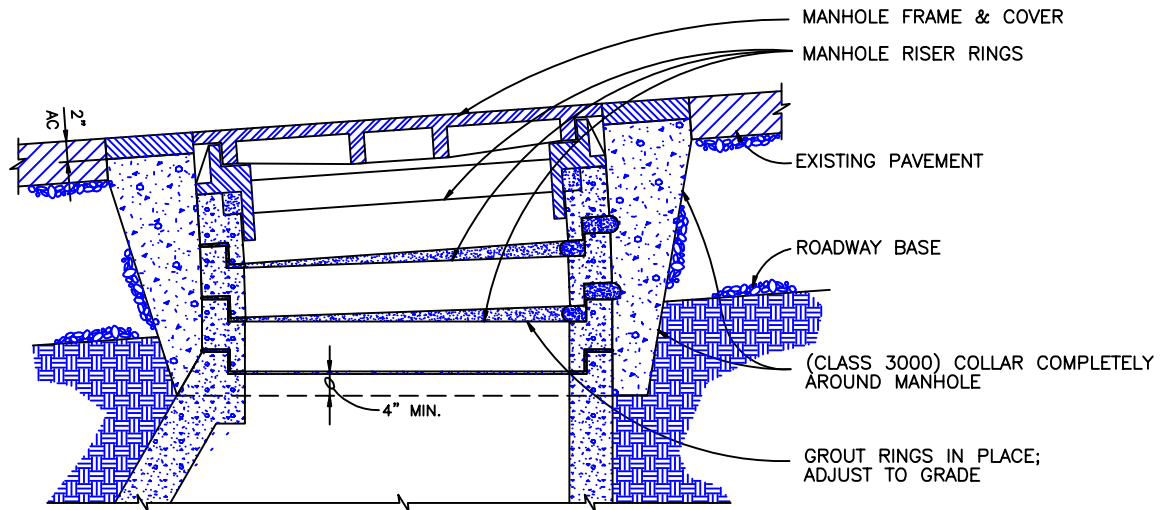


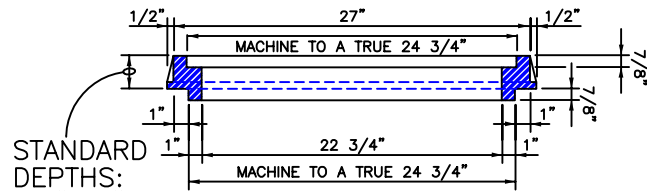
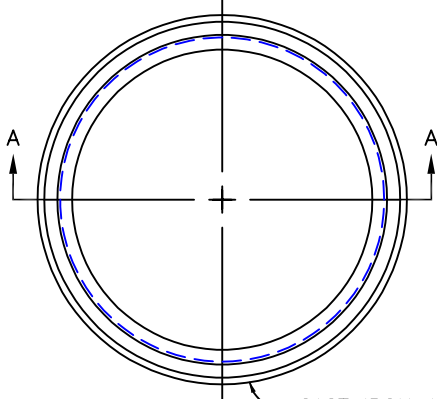
SAW CUT SQUARE AND REMOVE PAVEMENT
2-FOOT MIN. LARGER THAN MANHOLE
FRAME DIMENSION

REPLACE WITH 6-INCH THICK AC. PAVING

APPLY TACK COAT TO EDGES OF EXISTING
PAVEMENT BEFORE INSTALLING PATCH.
FINISH JOINT WITH ASPHALTIC SEAL
AND SAND.



TYPICAL MANHOLE GRADE ADJUSTMENT IN STREET



STANDARD
DEPTHS:
1.5", 2",
2.5", 3"

SECTION A-A

MANHOLE ADJUSTMENT RINGS
FOR RESURFACING

NOTES:

1. CAST IRON ADJUSTMENT RINGS ALLOWED ONLY WITH OVERLAYS AND NOT ON NEW MANHOLES. MAX. 1 ADJUSTMENT RING PER MANHOLE.

CAST IRON ADJUSTMENT RINGS

**City of
McMinnville**

**DETAIL FOR
MANHOLE RIM
ADJUSTMENT**

DATE: MAY 2023

DRAWING NO. 26