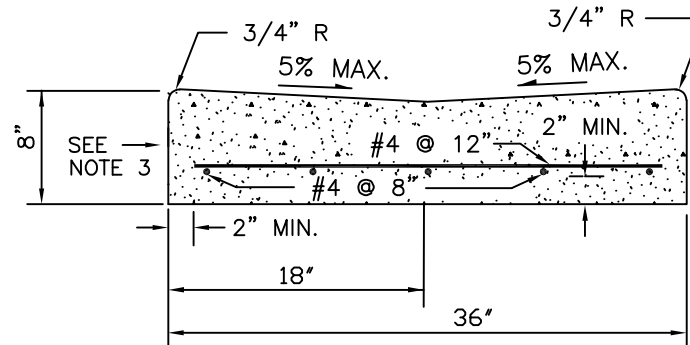
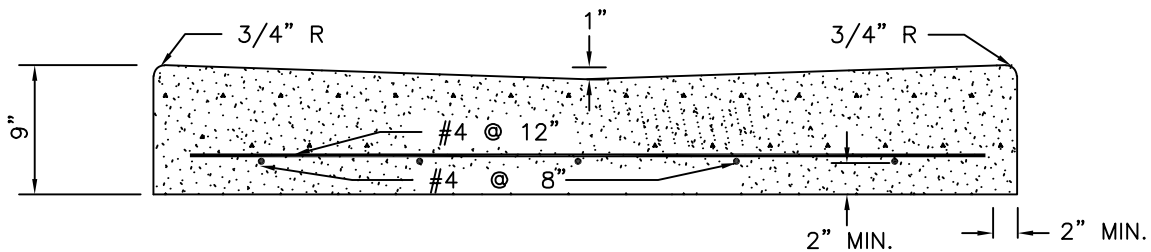


**CONCRETE – NON-SYMMETRICAL "V" GUTTER**



**CONCRETE – SYMMETRICAL "V" TYPE GUTTER**



**WIDE VALLEY GUTTER**

**NOTES:**

1. THE CONCRETE SHALL BE CLASS 3300
2. THE TOTAL WIDTH OF THE NON-SYMMETRICAL "V" GUTTER MAY BE REDUCED TO 30" WHEN CONSTRUCTION WITH A CURB-EXTRUSION MACHINE.
3. CONSTRUCT 6" BENCH MONOLITHICALLY WITH VALLEY GUTTER TO EXTEND UNDER PAVING FOR PAVEMENT SUPPORT.
4. WHEN BENCH IS NOT REQUIRED, CONSTRUCT 1" BATTER ON VERTICAL FACE.
5. PLACE PREMOLDED FILLER AGAINST VERTICAL FACE WHERE VALLEY GUTTER ABUTS CONCRETE.

**City of  
McMinnville**

**DETAIL FOR  
CONCRETE  
VALLEY GUTTER**

DATE: AUGUST 2022

DRAWING NO. 20