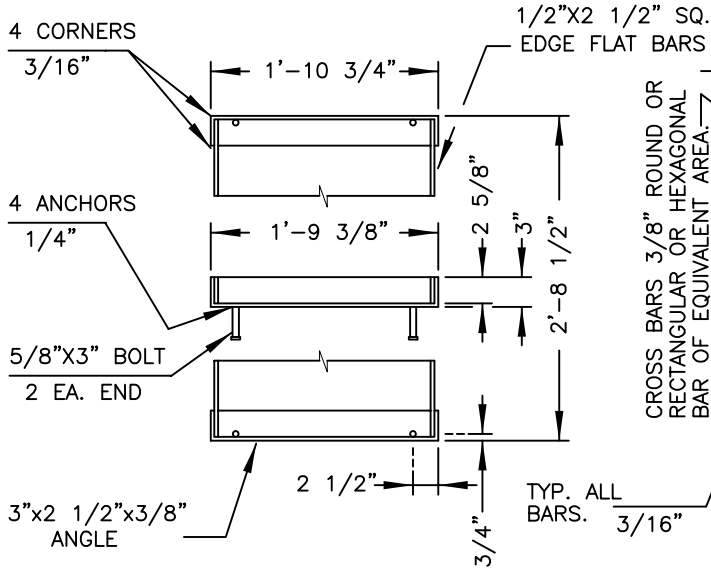
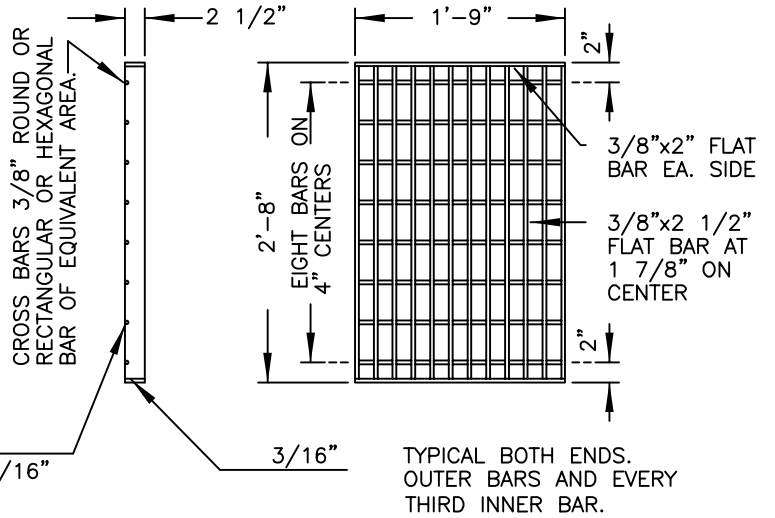


GRATE FRAME

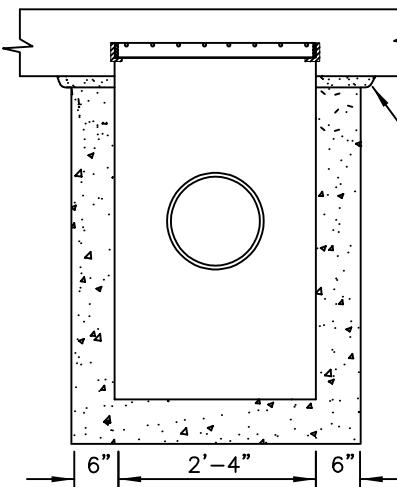
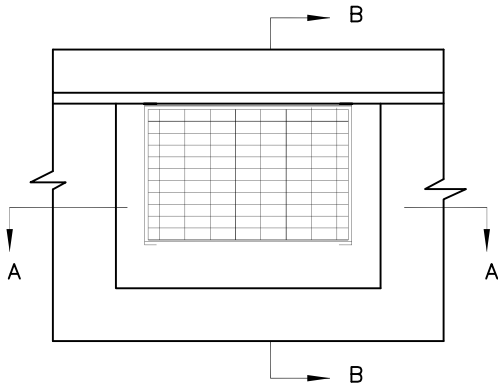


GRATE



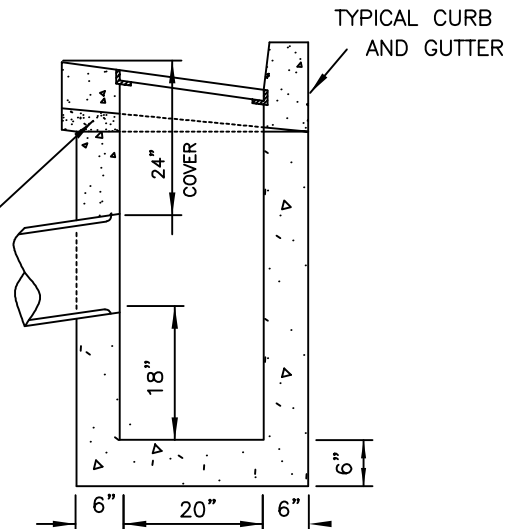
NOTES:

1. PRECAST BASE WALLS MAY BE A MINIMUM OF 4" THICK.
2. CONCRETE SHALL BE CLASS 3000.
3. APP. CAST IRON FRAMES & GRATES MAY BE ACCEPTED.
4. POURED IN PLACE OR APPROVED PRECAST MAY BE USED.
5. 3/8" CROSS BARS SHALL BE FLUSH WITH THE GRATE SURFACE AND MAY BE FILLET WELDED, RESISTANCE WELDED OR ELECTROFORGED TO BEARING BARS.
6. FOR OVERSIZE CATCH BASIN (G-2), INSIDE DIMENSIONS MUST BE 2'-4" x 2'-4"; GRATE AND FRAME WILL ADJUST ACCORDINGLY.



SECTION A-A

GROUT BETWEEN TOP OF CATCH BASIN AND BOTTOM OF CURB AND GUTTER



SECTION B-B

**City of
McMinnville**

**DETAIL FOR
CATCH BASIN**

DATE: AUGUST 2022

DRAWING NO. 10